

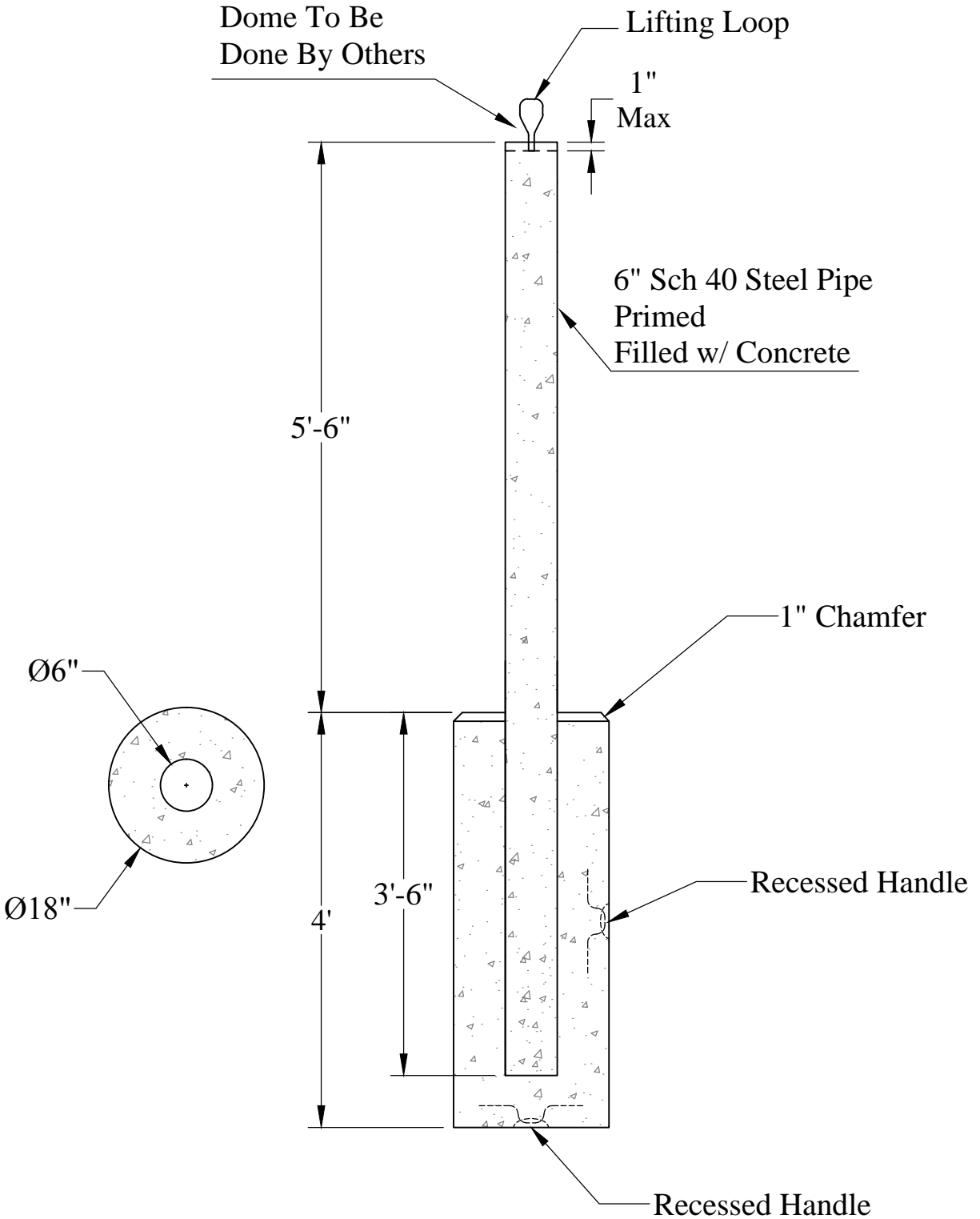
1-800-639-2199

Fax (603) 224-2927

Bollards\6In_Bollard_Primed_w_Base_National_Grid_Opt_2_Sales_Rev2

Phoenix Precast Products

Phoenix Precast Products



General Notes

- 1.) Concrete: $f_c = 4,000$ PSI @ 28 Days Minimum
- 2.) Weight: 1,300 Lbs

**Phoenix
Precast
Products**

National Grid
6" Diameter Bollard With
Base and Primed Pipe
Option #2

P/N: NG-6BPRIME